

# REQUIRED DATA FORM DYNAMIC STORAGE LIFO/FIFO 1/2



CLIENT: .....

Contacts: .....

Address: .....

Phone: ..... e-mail: ..... Date: .....

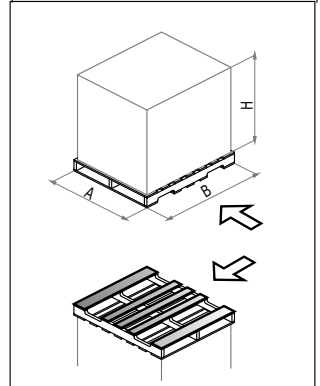
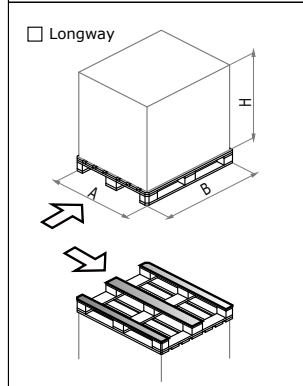
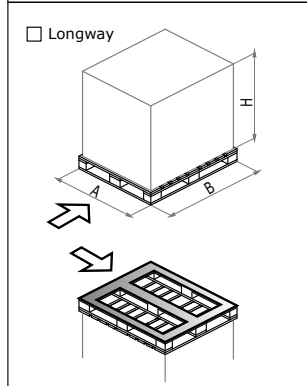
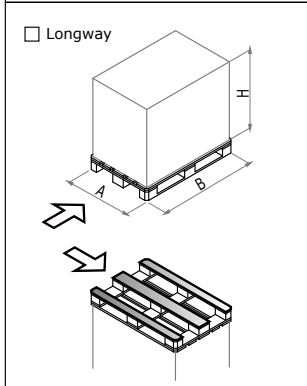
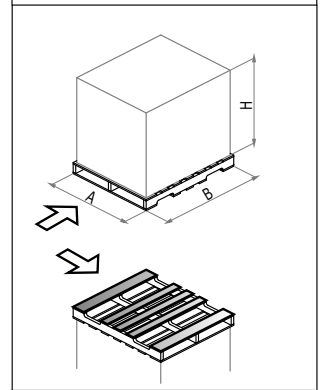
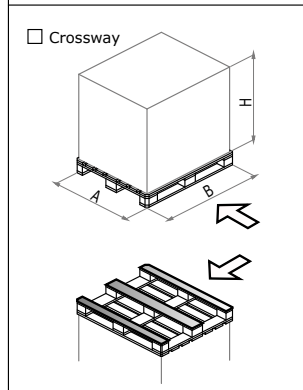
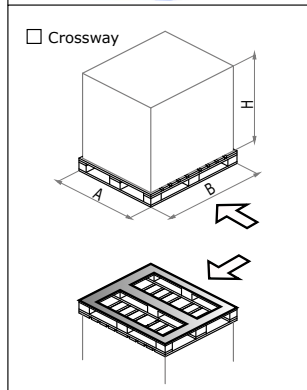
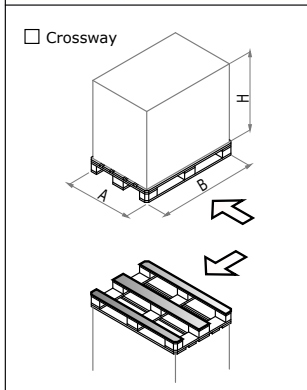
PALLET	Material	<input type="checkbox"/> Wood <input type="checkbox"/> Plastic <input type="checkbox"/> Steel	
	Sizing (A / B ) mm		
	Possibility to protrude	<input type="checkbox"/> NO <input type="checkbox"/> YES, specify mm:	
	Stability	<input type="checkbox"/> Pallets in good condition, dry and undamaged without plastic film under the aces <input type="checkbox"/> Not stable <input type="checkbox"/> Fragile	
LOAD	Maximum high (H) mm		
	Weight (maximum) Kg		(Reserved for the office) <input type="checkbox"/> Weight ratio $\leq 6$

Euro pallet

Chep pallet

Industrial pallet

American pallet



Disposable pallet: send drawing and indicate thickness of the board: ..... mm

Special pallet: send drawing, indicate typology with all measures.



# REQUIRED DATA FORM

## 2/2 DYNAMIC STORAGE LIFO/FIFO

INSTALLATION	Type of storage system	<input type="checkbox"/> FIFO <input type="checkbox"/> Picking - pedal release (optional) <input type="checkbox"/> LIFO <input type="checkbox"/> Rollers <input type="checkbox"/> CPB	
	Number of pallet stored by lane		
	Number of lanes	On the ground	On currents
	Work temperature range		
OPERATOR DEVICE	Means of loading	<input type="checkbox"/> Trolley with forks with tilt <input type="checkbox"/> Trolley with forks without tilt <input type="checkbox"/> Automatic shuttle	
	Means of discharge	<input type="checkbox"/> Trolley with forks with tilt <input type="checkbox"/> Trolley with forks without tilt <input type="checkbox"/> Automatic shuttle <input type="checkbox"/> Other:	
	Maximum height possible of lifting the vehicle		

(RESERVED FOR THE OFFICE) OTHER DATA	Structure type	<input type="checkbox"/> Shelf <input type="checkbox"/> On the feet (only 1° level)	
	Usable internal height of the building mm		
	Lane Depth (3 to 20 PP)		
	Input current	<input type="checkbox"/> Standard <input type="checkbox"/> Current L	
	Output current	<input type="checkbox"/> Standard <input type="checkbox"/> Current L	
	Raking	<input type="checkbox"/> Standard 1300 - 1200 <input type="checkbox"/> To the ground up to 11PP <input type="checkbox"/> Complete lane with mini rack <input type="checkbox"/> Step between the uprights not std - Shelf design needed	

NOTES

--